

# BADGEMAN CREATE A BADGE

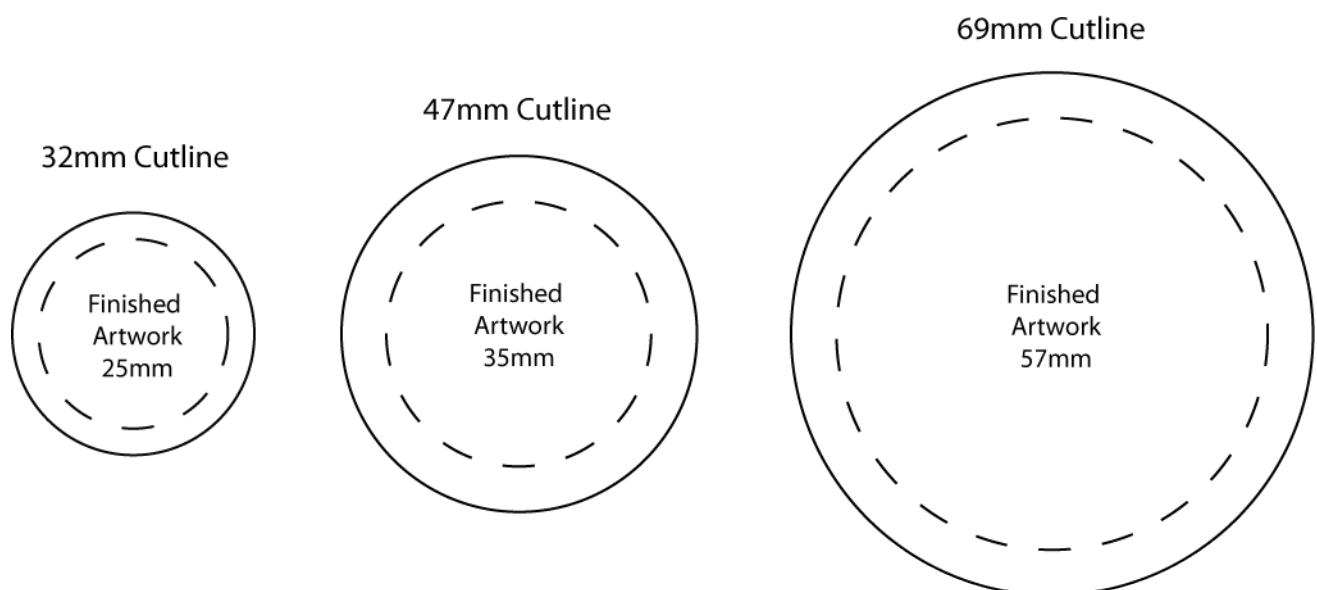
## 25mm, 35mm and 57mm sizes, (including 25mm Hairpins and rings)

The solid black line represents the cutting line, 32mm, 47mm and 69mm. The dashed line in the graphic circles indicates the ARTWORK area, your image, logo or words should be contained within this dashed line area. (When you have made your image the required size, remove the dashed line.)

However, in order to manufacture your badge to a high standard and great finish WE NEED YOU to continue the background fill colour to the solid black line which becomes the actual cutting line, for the circle to then wrap around the badge components...OTHERWISE the wrap around sides of your badges will be white!

A great option is to incorporate your contact web address, myspace or email onto the 25mm, 35mm or 57mm at the 24.5mm, 34.5mm or 56.5mm finished artwork line so it will be visible on the wrap around! 6 point font is a great size for this.

Artwork should be 300dpi and in CMYK, we like PSD and PDF formats. **BADGEMAN** also provides a Design service. If you have no access to software, email us with your BADGE idea, JPEG or GIF file...and WE will put it together for you!



# BADGEMAN CREATE A BADGE

## 40mm Square or Diamond Badges

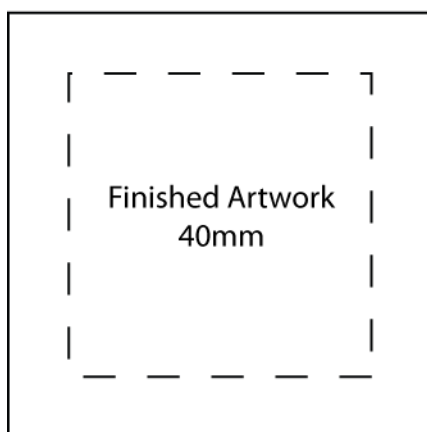
The solid black line represents the cutting line at 56mm square. The dashed line in the graphic is 40mm square and indicates the ARTWORK area, your image, logo or words should be contained within this dashed line area. (When you have made your image the required size, remove the dashed line.)

However, in order to manufacture your badge to a high standard and great finish WE NEED YOU to continue the background fill colour to the solid black line which becomes the actual cutting line, for the Square to then wrap around the badge components...OTHERWISE the wrap around sides of your badges will be white!

A great option is to incorporate your contact web address, myspace or email onto your square badge around the finished artwork line say 39.5mm so it will be visible on the wrap around! 6 point font is a great size for this.

Artwork should be 300dpi and in CMYK, we like PSD and PDF formats. **BADGEMAN** also provides a Design service. If you have no access to software, email us with your BADGE idea, JPEG or GIF file...and WE will put it together for you!

56mm Cutline



56mm Cutline

